

**Overview**

100% Customer Satisfaction

MaxiFlo™ TURBINE Flowmeter series MT measures liquid, gas and steam with low viscosities with high accuracy.

- Low Cost
- Outstanding Accuracies of 0.2%, 0.5% and 1%
- Bi-directional Flow capacity (optional)
- Various Signal Output options of Pulse and 4-20mA
- Wide application for liquid, gas and steam in the fields of petroleum, chemical industry, metallurgy, etc. for measuring and control

**Specifications**

**Accuracy** Liquid: ±0.2%, 0.5% and 1%  
 Gas: ±1% (0.5%, Optional)

**Medium Temperature** Liquid: -20°C ~ +120°C  
 Gas: -20°C ~ +60°C

**Ambient Temperature** Liquid: -20°C ~ +55°C  
 Gas: -20°C ~ +50°C

**Max. Operating Pressure** ≤2.5 Mpa

**Power Supply** 5~ 24VDC, Battery

**Output: 4-20mA, Pulse**

**Explosion-proof** Ex d II B T4

**MAXIFLO**

**Turbine Flow Meter  
 (Series MTL)**

Turbine Flow Meter



Flanged In-line sensor with Indicator



Screw In-line sensor



Insertion sensor

### Specifications Table for Liquid Type

DN (mm)	Flow Range (m <sup>3</sup> /h)						Medium Temp. (°C)	Ambient Temp. (°C)	Max. Pressure (MPa)	Pressure Loss (MPa)
	Accuracy 0.2%		Accuracy 0.5%		Accuracy 1.0%					
	Min.	Max.	Min.	Max.	Min.	Max.				
2A	/	/	/	/	0.03	0.16	-20°C ~ +120°C	-20°C ~ +55°C	6.3	0.12
4A	/	/	/	/	0.04	0.25				
6A	/	/	/	/	0.1	0.6				
10A	/	/	/	/	0.2	1.2				
15A	/	/	0.6	4	0.6	6				
25A	/	/	1.6	10	1	10				
40A	3	20	3	20	2	20			2.5	0.025
50A	6	40	6	40	4	40				
80A	16	100	10	100	10	100				
100A	25	160	20	160	20	200				
150A	50	300	40	300	40	400				
200A	/	/	100	600	80	800			1.6/ 2.5	0.025
250A	/	/	160	1000	120	1200				
300A	/	/	260	600	180	1800				

### Specifications Table for Gas Type

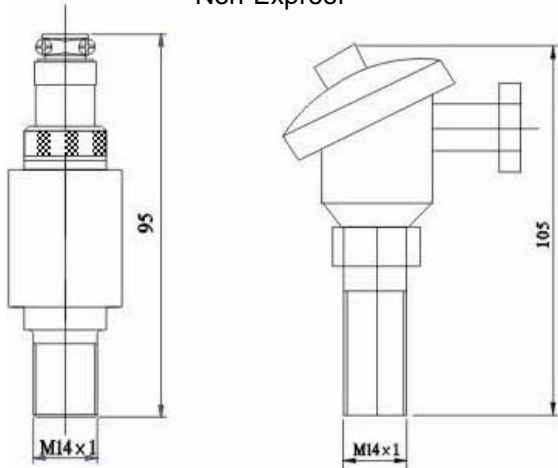
DN (mm)	Normal Flow Range (Am <sup>3</sup> /h)		Accuracy	Medium Temp. (°C)	Ambient Temp. (°C)	Max. Pressure (MPa)	Pressure Loss (MPa)
	Min.	Max.					
15A	1.5	7.5	2.5%	-20°C ~ +60°C	-20°C ~ +50°C	6.3	0.001
25A	6	42					
40A	8.4	84					
50A	16.8	168					
80A	34	340	1%				
100A	51	510					
150A	98	980					
200A	170	1700					
250A	230	2300					
300A	400	4000					

### Specifications Table for Insertion Type

Model	Velocity Range (m/s)		Medium Temp. (°C)	Ambient Temp. (°C)	Max. Pressure (MPa)	Pipe Size (mm)
	Liquid (Accuracy 1%)	Gas (Accuracy 2.5%)				
IS800	0.3 ~ 3.5	5 ~ 50	-20°C ~ +120°C	-25°C ~ +55°C	1.6	50 ~ 800
IS2000	0.3 ~ 3.5	5 ~ 50			1.0	50 ~ 2000

### Dimensions of Converters (Flow Indicators)

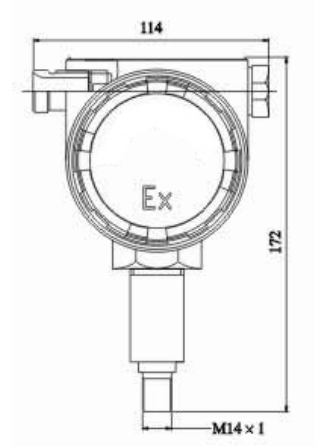
Pulse Transmitter-No Display  
Non-Exproof



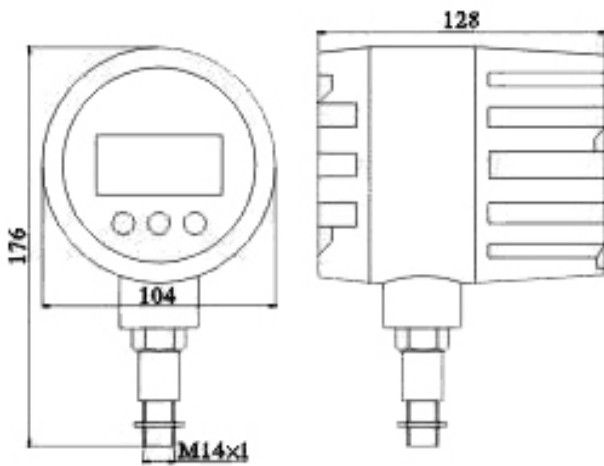
Cables connected by soldering

Cables connected thru terminals

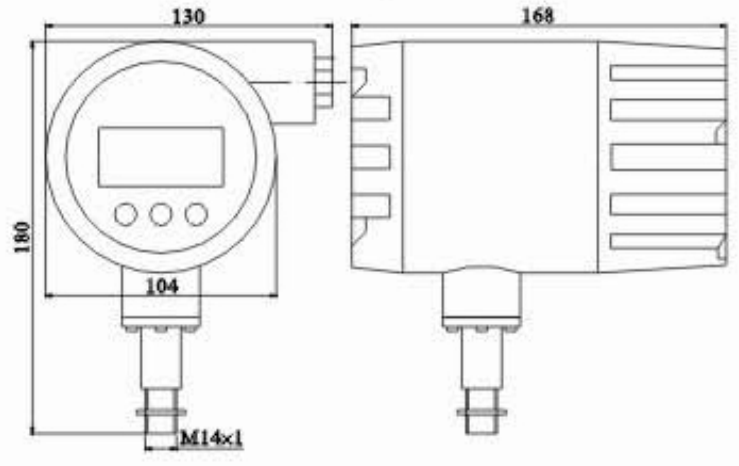
4-20mA & Pulse Transmitter-No Display  
Ex-Proof



Rate & Total Display  
No Signal Output – Battery Powered

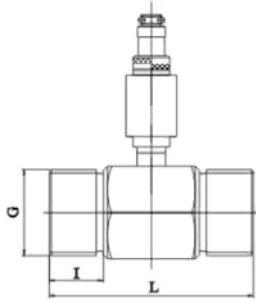


Rate & Total Display  
Pulse & 4-20mA Output – 24VDC Powered



### Dimensions of Sensors

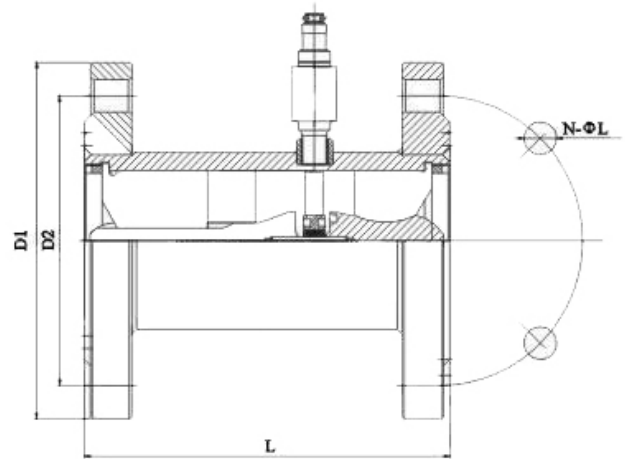
Inline Sensors  
Screw Connection (DN 2 ~ 25mm)



DN (mm)	Connection	I (mm)	L (mm)	Weight (kg)
4	Screw 3/8"	11	42	0.5
6	Screw 3/8"	11	42	0.5
10	Screw 1/2"	16	55	0.6
15	Screw 1"	18	75	1.0
25	Screw 1-1/4"	23	100	1.5

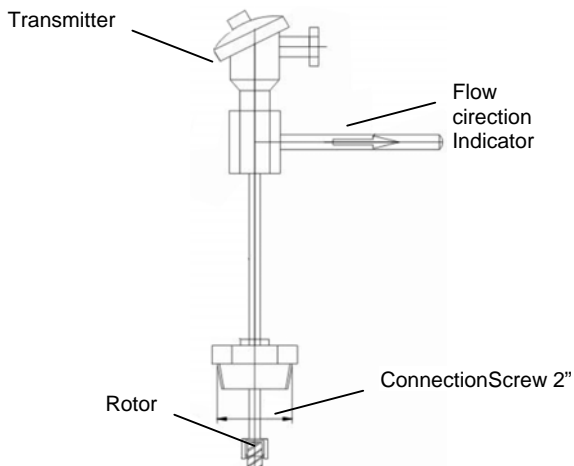
Inline Sensors  
Flange Connection (DN 40 ~ 300mm)

DN (mm)	L (mm)	W (kg)
40	140	7
50	150	8
80	200	10
100	220	12
150	300	16
200	360	19
250	400	73
300	420	85

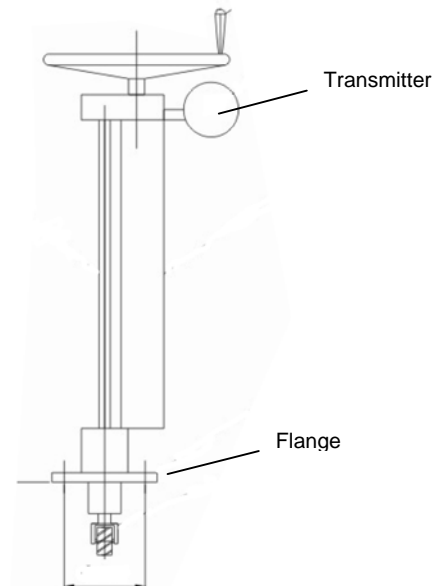


D1, D2, N-ØL and weight can vary according to flange standard required by customer.

Insertion Sensors  
(DN 50 ~ 800mm)



Insertion Sensors  
(DN 50 ~ 2000mm)



## Model Selection Guide

MT#-###-##-#-##-##-##-Options		Code
Medium	Liquid	MTL
	Gas	MTG
DN (mm)		###
Converter/Indicator	No Indicator - Pulse Output Only (Non-Ex-Proof)	T1
	No Indicator - 4-20mA Output Only (Ex-Proof)	T2
	Flow Rate & Total Indicator - No Output (Ex-Proof)	T3
	Flow Rate & Total Indicator – Pulse & 4-20mA Output (Ex-Proof)	T4
Sensor	Inline Sensor	G
	Insertion Sensor	I
Power	24 VDC	P1
	Battery (Lithium Ion - 5 Years)	P2
Connection	Screw (PT, NPT, etc.)	F1
	ANSI 150# Flange	F2
	ANSI 300# Flange	F3
	JIS 10K Flange	F4
	JIS 20K Flange	F5
	DIN Flange	F6
	Sanitary	SA
	Others	_____
Output	No Output	NO
	Pulse Output	PA
	4-20mA	AN
Option	Temperature and Pressure Compensation for Gas	GF

Example: **MT-80-T3-G-P2-F2-NO**: Turbine flowmeter with flanged inline sensor with battery-powered indicator with no output.

Other options may be available. So, please consult with us.

We are here for you

For further information, visit us at

[www.maxiflo.co.kr](http://www.maxiflo.co.kr)

**Seil Enterprise Co.**

Seoul Korea  
[www.maxiflo.co.kr](http://www.maxiflo.co.kr)

**MAXIFLO™** is a registered trademark of Seil Enterprise Co.